

'Apollo' Valves

SUBMITTAL SHEET

LEAD FREE

36ELF Series

Model PRE-LF Pressure Reducing Valve



Job Name:	
Job Location:	
Engineer:	
Contractor:	
Tag:	
PO Number:	
Representative:	
Wholesale Distributor:	



DESCRIPTION

The Apollo® Lead Free* Pressure Reducing Valve Model PRE (36ELF Series) is designed to protect water distribution systems by automatically reducing excessive supply pressures. The dezincification resistant bronze body, stainless steel adjusting screw and dielectric polymer cage provide maximum corrosion resistance. Designed for easy in-line servicing with simple cartridge removal.

FEATURES

- Balanced Piston Design
- SS Adjusting Screw & Nut
- Sealed Cage for vault installations
- Built-in Thermal Expansion By-Pass
- Large Area Integral Stainless Steel Strainer
- Modular Seat Disc and Strainer Cartridge
- Control Pressure Ranges: 15-75 psi and 75-150 psi
- High flow / high efficiency design
- NPT, Solder, PEX, CPVC, Push & Press connections
- Factory tested and preset at 60 psi
- Single Union, Double Union and Less Union configurations available
- **100% Manufactured in USA – ARRA Compliant**

PERFORMANCE RATING

- Maximum Supply Pressure: 400 psig
- Working Temperature Range: 33°F – 180°F

APPROVALS

- NSF/ANSI 372 Lead Free
- ASSE 1003
- IAPMO/UPC
- CSA B356

OPTIONS

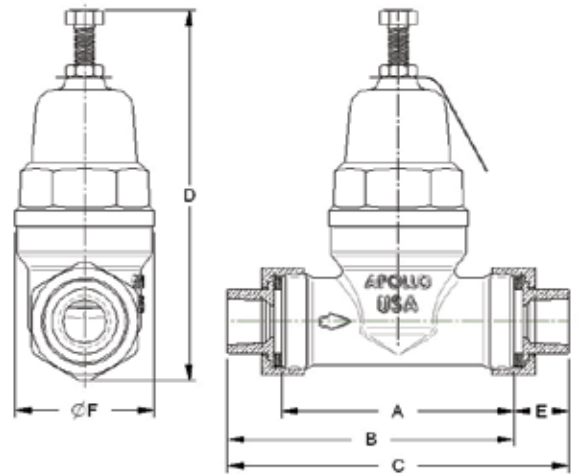
- (B) - Bronze Cap **NEW!**

STANDARD MATERIALS LIST

Part Name	Material
Body	UNS 89836 Lead Free* Bronze
Tailpiece	UNS 27451 Lead Free* Brass
Screen	Stainless Steel
Spring Housing	Celcon®/Noryl
Diaphragm	NSF grade EPDM
Seat disc	FDA grade EPDM
Adjusting Screw & Nut	Stainless Steel
Cage Seal	Nitrile
Stem	UNS 27451 Lead Free* Brass
Spring	Music Wire ASTM A228
O-Rings	NSF grade EPDM

DIMENSIONS

Connect Type	Size (in.)	Dimensions (in.)						Single Union Wt.	Double Union Wt.
		A	B	C	D	E	F		
THREAD	1/2"	3-5/8	4-1/2	5-3/8	6	5/8	2-3/4	2.4	2.75
SOLDER	1/2"	3-5/8	4-1/2	5-1/2	6	1/2	2-3/4	2.4	2.75
PEX	1/2"	3-5/8	4-1/2	5-1/2	6	5/8	2-3/4	2.4	2.75
CPVC	1/2"	3-5/8	4-1/4	5	6	1/2	2-3/4	2.4	2.75
THREAD	3/4"	3-5/8	4-1/2	5-1/2	6	5/8	2-3/4	2.4	2.75
SOLDER	3/4"	3-5/8	4-1/2	5-1/2	6	3/4	2-3/4	2.4	2.75
PEX	3/4"	3-5/8	4-5/8	5-5/8	6	5/8	2-3/4	2.4	2.75
CPVC	3/4"	3-5/8	4-1/2	5-1/2	6	5/8	2-3/4	2.4	2.75
THREAD	1"	3-5/8	4-5/8	5-3/4	6	5/8	3-3/8	2.4	2.86
SOLDER	1"	3-5/8	4-5/8	5-3/4	6	7/8	3-3/8	2.4	2.86
PEX	1"	3-5/8	4-3/4	6	6	3/4	3-3/8	2.4	2.86
CPVC	1"	3-5/8	4-3/4	6	6	15/16	3-3/8	2.4	2.86



* LEAD FREE: The wetted surfaces of this product shall contain no more than 0.25% lead by weighted average. Complies with Federal Public Law 111-380. ANSI 3rd party approved and listed.

Apollo Valves, Manufactured by **Conbraco Industries, Inc.**
701 Matthews Mint-Hill Road, Matthews, NC 28105 USA
www.apollovalves.com | (704) 841-6000

This specification is provided for reference only. Conbraco Industries Inc. reserves the right to change any portion of this specification without notice and without incurring obligation to make such changes to Conbraco products previously or subsequently sold. Please visit our website @ www.apollovalves.com for the most current information.



"Apollo" Valves

SUBMITTAL SHEET

LEAD FREE

36ELF Series

Model PRE-LF Pressure Reducing Valve

FLOW CAPACITY

Pipe Size	Fall-Off (PSI)	Pressure Differential (PSI)		
		25	50	75
1/2"	10	10	13	16
	15	13	18	22
	20	17	23	29
	30	22	29	36
3/4"	10	16	21	26
	15	20	27	32
	20	24	32	40
	30	29	38	48
1"	10	25	33	41
	15	30	42	52
	20	34	45	56
	30	35	47	59

Pressure Differential is the difference between the inlet supply pressure and the adjusted outlet pressure.

Pressure Falloff is the reduction in downstream pressure from the static (set) pressure as the flow increases through the valve.

PART NUMBER MATRIX

36ELF -	1	X	X	X	X	X
	STYLE	UNION	SIZE	PRESSURE	CONNECTION	OPTION
36ELF - Lead Free	1	0 - No Union (NPT) 1 - Single Union 2 - Double Union	3 - 1/2" 4 - 3/4" 5 - 1"	01 - 15-75 psig 03 - 75-150 psig	T - FNPT Thread S - Solder C - CPVC P - Push X - PEX PR - Press	B - Bronze Cap

Apollo Valves, Manufactured by **Conbraco Industries, Inc.**
701 Matthews Mint-Hill Road, Matthews, NC 28105 USA
www.apollovalves.com | (704) 841-6000

This specification is provided for reference only. Conbraco Industries Inc. reserves the right to change any portion of this specification without notice and without incurring obligation to make such changes to Conbraco products previously or subsequently sold. Please visit our website @ www.apollovalves.com for the most current information.

